

Rates and Specifications

for all our

Elevated Work Platforms



www.ewphire.net.au

EWP Hire Pty Ltd

P: 0488 666 063

E: admin@ewphire.net.au

ABN: 61 162 101 699

P: PO Box 239 West Burleigh QLD 4219

A: 3 Rudman Parade, Burleigh Heads QLD 4220

Rates for 2019

Unit Description	Quantity	Wet Hire per hour (excl GST)
40 Metre Tower	4	\$220.00
30 Metre Tower	4	\$200.00
23 Metre Tower	3	\$150.00
18 Metre Redmond Gary Industrial HV Electric Tested	5	\$145.00
15 Metre Redmond Gary Tower HV Electric Tested	3	\$135.00
15 Metre GMJ Tower HV Electric Tested	2	\$135.00
12 Metre Stelco Telescopic Tower	3	\$125.00

- An overtime rate of \$55.00 per hour (+GST) applies to work undertaken on Weekends and between the hours of 5pm to 6.30am and any working hours over 8 continuous hours. Public Holidays is \$75 per hour (+GST)
- Minimum call out during the day (0630-1700) is 4 hours including travel time and at night (1700-0630) is 4 hours including travel time.
- Use of Truck's Gurneys, Compressors and/or Generators, attract an additional \$20 per hour (+GST) for the hire of the truck.
- Toll Fees Apply.

www.ewphire.net.au

EWP Hire Pty Ltd

P: 0488 666 063

E: admin@ewphire.net.au

ABN: 61 162 101 699

P: PO Box 239 West Burleigh QLD 4219

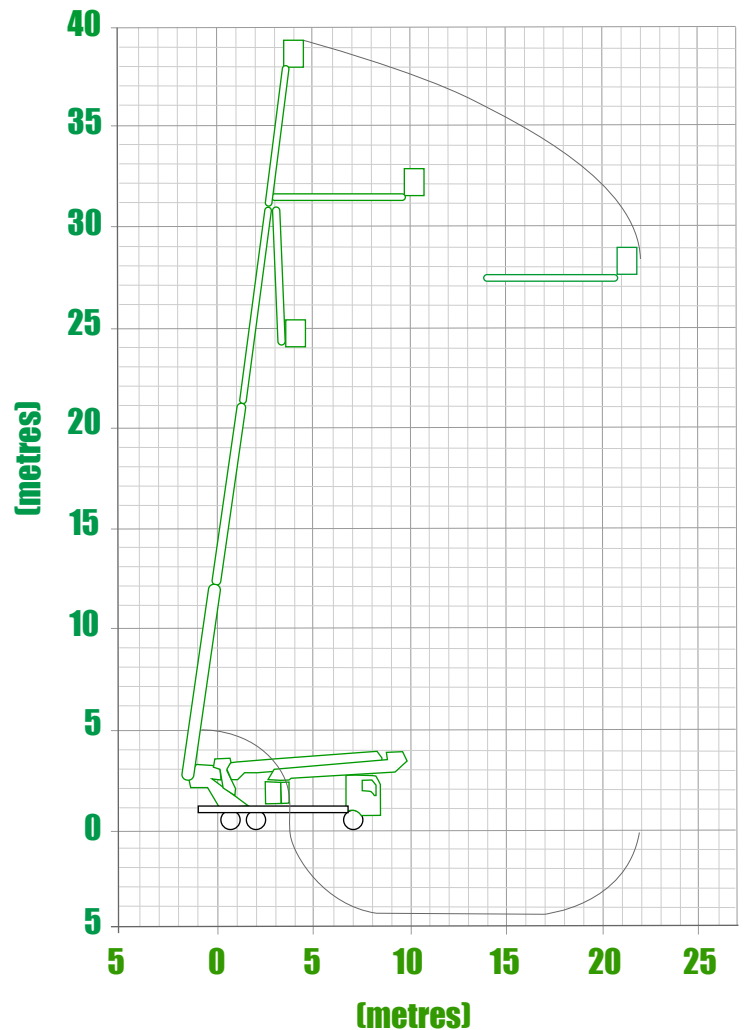
A: 3 Rudman Parade, Burleigh Heads QLD 4220

40 Metre Elevated Work Platform

Unit Number: Unit 5, 15 & 16

Specs

Max Working Height	40 m
Working Radius at Max Height	5 m
Safe Working Load	250 kg
Max Working Radius	22 m
Max Stabiliser Spread	5.40 m
Travelling Height	4 m
Travelling Width	2.50 m
Travelling Length	11 m
Overall Weight	22,500 kg
Basket Rotation	120°



www.ewphire.net.au

EWP Hire Pty Ltd

P: 0488 666 063

E: admin@ewphire.net.au

ABN: 61 162 101 699

P: PO Box 239 West Burleigh QLD 4219

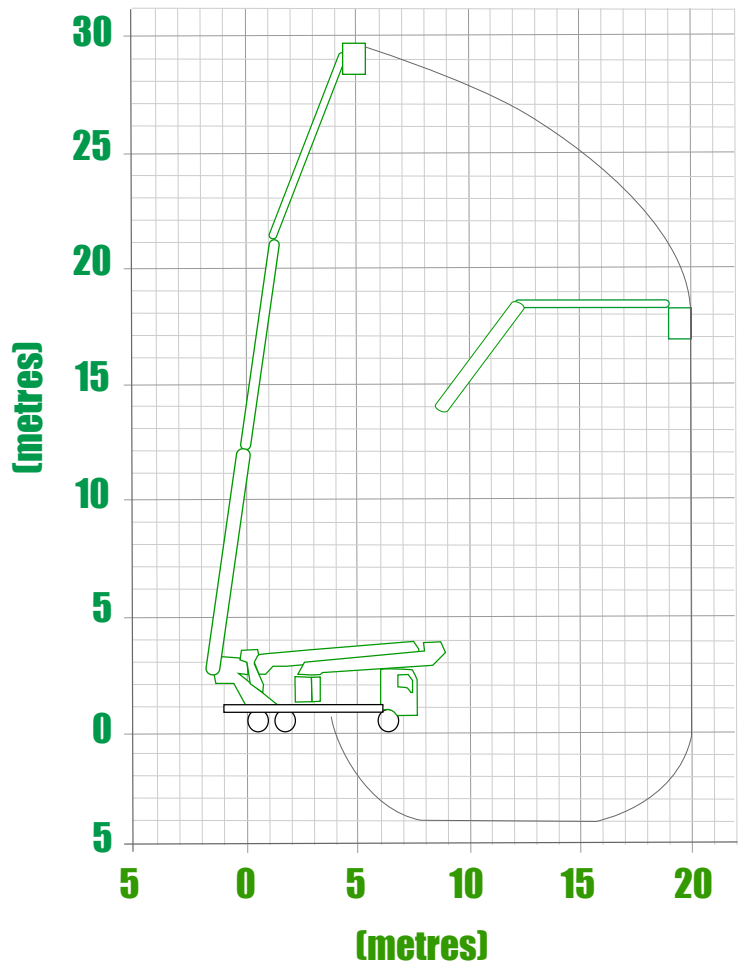
A: 3 Rudman Parade, Burleigh Heads QLD 4220

30 Metre Elevated Work Platform

Unit Number: Unit 5, 15 & 16

Specs

Max Working Height	30 m
Working Radius at Max Height	6.5 m
Safe Working Load	250 kg
Max Working Radius	15 m
Max Stabiliser Spread	5.40 m
Travelling Height	4 m
Travelling Width	2.50 m
Travelling Length	11 m
Overall Weight	22,500 kg
Basket Rotation	120°



www.ewphire.net.au

EWP Hire Pty Ltd

P: 0488 666 063

E: admin@ewphire.net.au

ABN: 61 162 101 699

P: PO Box 239 West Burleigh QLD 4219

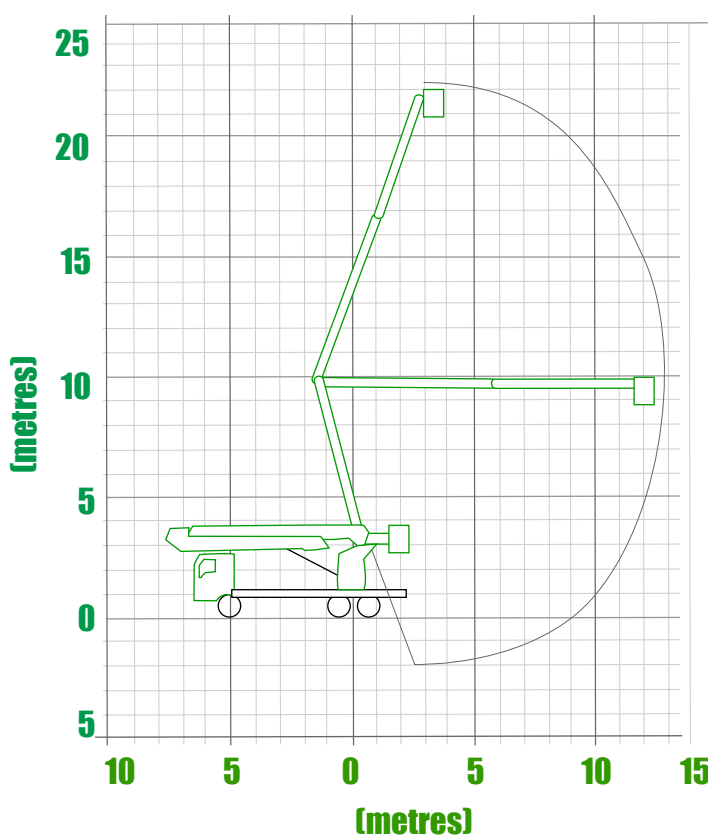
A: 3 Rudman Parade, Burleigh Heads QLD 4220

23 Metre Elevated Work Platform

Unit Number: Unit 8, 10 & 13

Specs

Max Working Height	23 m
Working Radius at Max Height	4.50 m
Safe Working Load	250 kg
Max Working Radius	13 m
Max Stabiliser Spread	4.30 m
Travelling Height	3.70 m
Travelling Width	2.50 m
Travelling Length	9.50 m
Overall Weight	13,000 kg
Basket Rotation	Nil



www.ewphire.net.au

EWP Hire Pty Ltd

P: 0488 666 063

E: admin@ewphire.net.au

ABN: 61 162 101 699

P: PO Box 239 West Burleigh QLD 4219

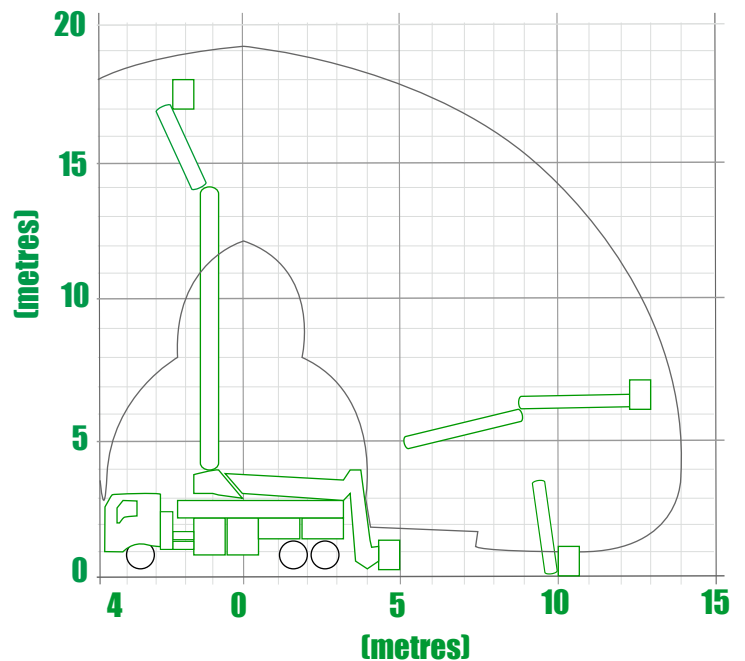
A: 3 Rudman Parade, Burleigh Heads QLD 4220

18 Metre Industrial Redmond Gary Elevated Work Platform

Unit Number: Unit 17, 18, 19, 20 & 28

Specs

Max Working Height	19 m
Working Radius at Max Height	0 m
Safe Working Load	325 kg
Max Working Radius	14 m
Max Stabiliser Spread	3.50 m
Travelling Height	3.70 m
Travelling Width	2.50 m
Travelling Length	6.50 m
Overall Weight	18,000 kg
Basket Rotation	90°



Additional Equipment

- Water Tanks
- Pressure Cleaner 3600psi

www.ewphire.net.au

EWP Hire Pty Ltd

P: 0488 666 063
E: admin@ewphire.net.au

ABN: 61 162 101 699

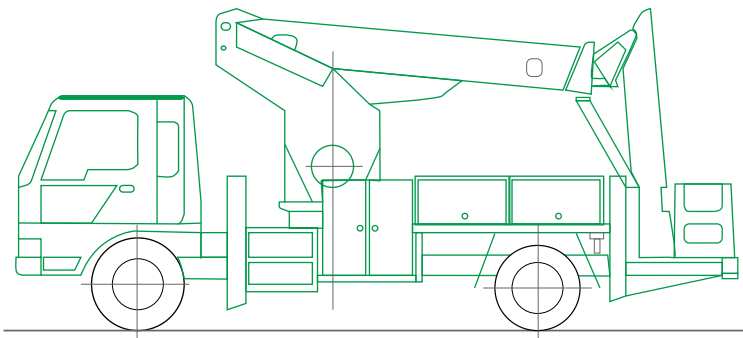
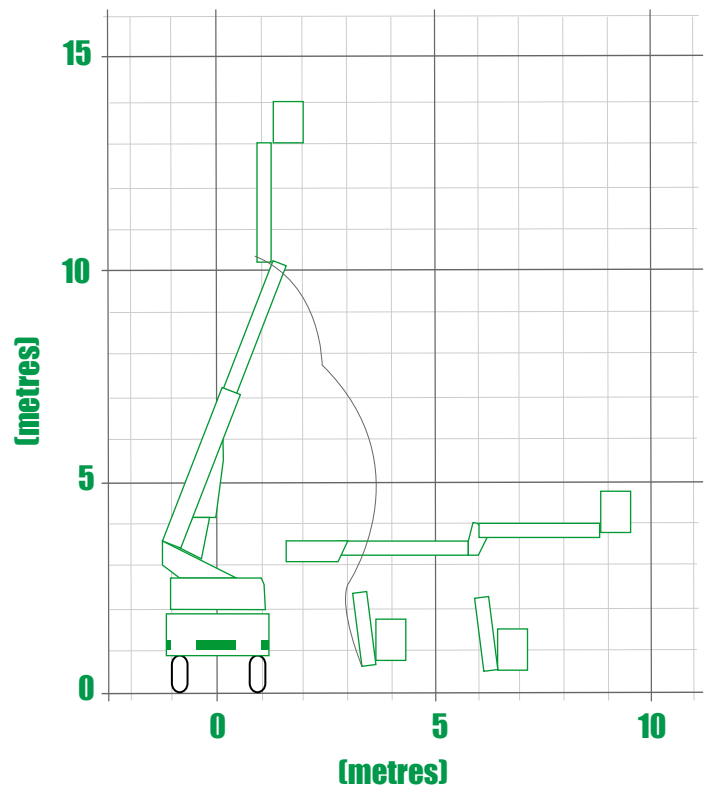
P: PO Box 239 West Burleigh QLD 4219
A: 3 Rudman Parade, Burleigh Heads QLD 4220

15 Metre Redmond Gary Elevated Work Platform

Unit Number: Unit 9

Specs

Max Working Height	15 m
Working Radius at Max Height	2 m
Safe Working Load	325 kg
Max Working Radius	10 m
Max Stabiliser Spread	2.44 m
Travelling Height	3.80 m
Travelling Width	2.44 m
Travelling Length	7.9 m
Overall Weight	12,500 kg
Basket Rotation	Nil



www.ewphire.net.au

EWP Hire Pty Ltd

P: 0488 666 063

E: admin@ewphire.net.au

ABN: 61 162 101 699

P: PO Box 239 West Burleigh QLD 4219

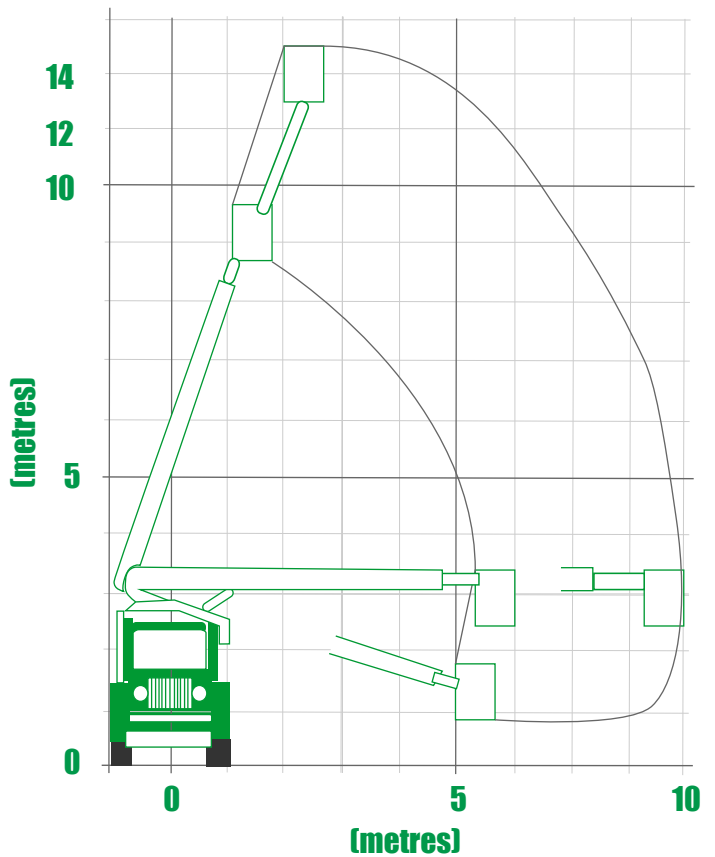
A: 3 Rudman Parade, Burleigh Heads QLD 4220

15 Metre GMJ Telescopic Boom Elevated Work Platform

Unit Number: Unit 2 & 11

Specs

Max Working Height	15 m
Working Radius at Max Height	3 m
Safe Working Load	300 kg
Max Working Radius	10 m
Max Stabiliser Spread	2.44 m
Travelling Height	3.60 m
Travelling Width	2.44 m
Travelling Length	7 m
Overall Weight	7500 kg
Basket Rotation	90°



www.ewphire.net.au

EWP Hire Pty Ltd

P: 0488 666 063

E: admin@ewphire.net.au

ABN: 61 162 101 699

P: PO Box 239 West Burleigh QLD 4219

A: 3 Rudman Parade, Burleigh Heads QLD 4220

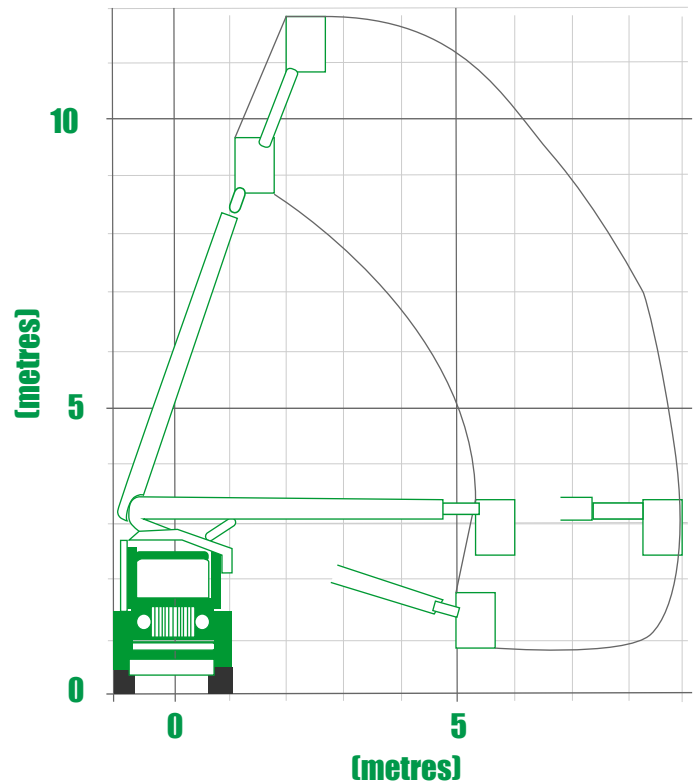
12 Metre Telescopic Boom Elevated Work Platform

Unit Number: Unit 12 & 14

Specs

Max Working Height	12 m
Working Radius at Max Height	3.80 m
Safe Working Load	180 kg
Max Working Radius	9 m
Max Stabiliser Spread	2.2 m
Travelling Height	3.30 m
Travelling Width	2.20 m
Travelling Length	6.40 m
Overall Weight	7500 kg
Basket Rotation	Nil

No Stabilisers. Spring Locks.



www.ewphire.net.au

EWP Hire Pty Ltd

P: 0488 666 063
E: admin@ewphire.net.au

ABN: 61 162 101 699
P: PO Box 239 West Burleigh QLD 4219
A: 3 Rudman Parade, Burleigh Heads QLD 4220