

Rates and Specifications

for all our

Under Bridge Units



www.ewphire.net.au

EWP Hire Pty Ltd

P: 0488 666 063

E: admin@ewphire.net.au

ABN: 61 162 101 699

P: PO Box 239 West Burleigh QLD 4219

A: 3 Rudman Parade, Burleigh Heads QLD 4220

Rates for 2019

Unit Description	Quantity	Wet Hire Daily Rate (excl GST)
3.6m Aichi Underbridge Maintenance Units	1	\$1840.00 - (\$230 per hr)
7m Moog Underbridge Maintenance Units	2	\$1840.00 - (\$230 per hr)
7m Moog Underbridge Maintenance Unit Industrial	1	\$1840.00 - (\$230 per hr)
9.5m Barin Underbridge Maintenance Unit Industrial	1	\$2000.00 - (\$250 per hr)
12m Moog Underbridge Maintenance Unit	1	\$2160.00 - (\$270 per hr)
12m Moog Underbridge Maintenance Units Industrial	2	\$2360.00 - (\$295 per hr)
12m Barin Underbridge Maintenance Units Industrial	1	\$2360.00 - (\$295 per hr)
Cella Underbridge Inspection Units	2	\$1840.00 - (\$230 per hr)

- Daily Rate is 8 hours maximum. After 8 hours, applicable daily rate + overtime applies.
- Overtime rate = "Truck hourly rate" plus \$55.00 per hour (+GST) applies to hire on weekends, and between the hours of 5pm to 6.30am and any hire hours over 8 continuous hours. Public Holidays is \$75 per hour (+GST)
- Minimum call out during the day (0630-1700) or night (1700-0630) is 8 hours including travel time.
- Travel outside the local regional depot area is at 8 hours minimum.
- Toll Fees Apply.

www.ewphire.net.au

EWP Hire Pty Ltd

P: 0488 666 063

E: admin@ewphire.net.au

ABN: 61 162 101 699

P: PO Box 239 West Burleigh QLD 4219

A: 3 Rudman Parade, Burleigh Heads QLD 4220

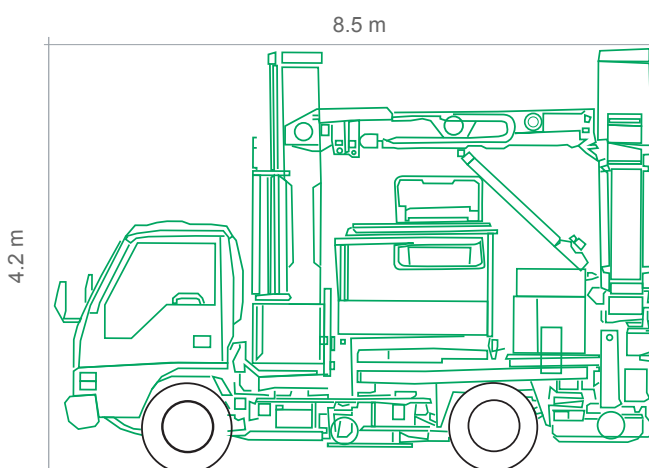
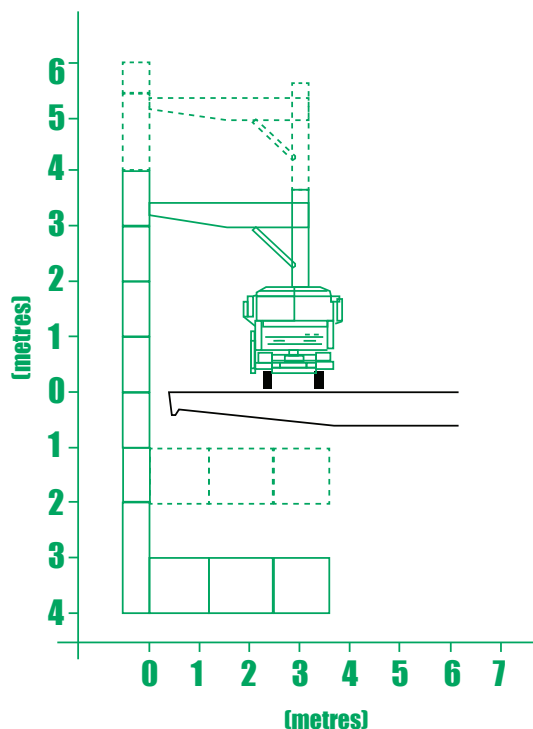
3.6 Metre Light Weight

Aichi

Underbridge Maintenance Unit Unit Number: UBM 10

Specs

Under bridge working length	3.7 m
Width of platform	1 m
Safe working load	250 kg
Max load at end of telescopic platform	125 kg
Max lowering depth	4 m
Rotation of platform	180°
Space required on bridge	2.1 m
Travelling height (stowed)	4.2 m
Travelling width	2.1 m
Travelling length	8.5 m
Overall weight (approx)	10,400 kg



www.ewphire.net.au

EWP Hire Pty Ltd

P: 0488 666 063

E: admin@ewphire.net.au

ABN: 61 162 101 699

P: PO Box 239 West Burleigh QLD 4219

A: 3 Rudman Parade, Burleigh Heads QLD 4220

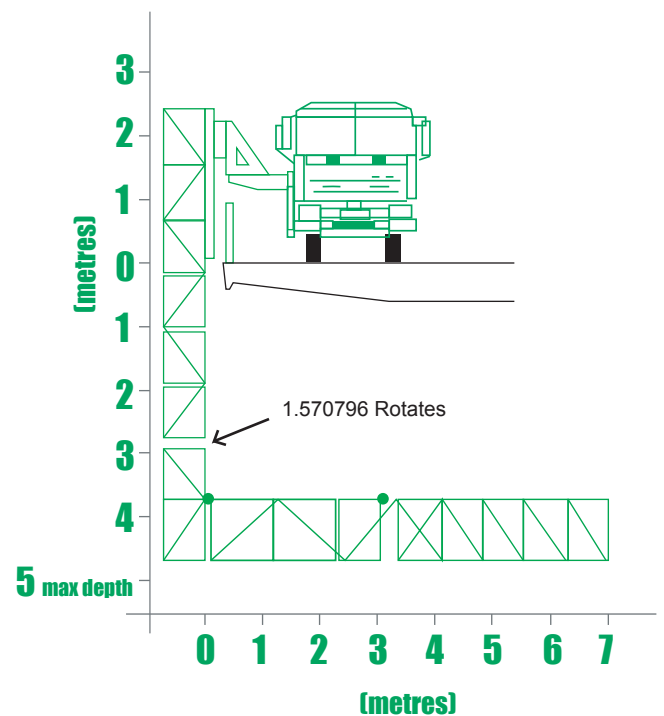
7 Metre Light Weight

Moog

Underbridge Maintenance Unit Unit Number: UBM 4

Specs

Under bridge working length	7 m
Width of platform	1 m
Safe working load	400 kg
Max load at end of telescopic platform	200 kg
Max lowering depth	5 m
Rotation of platform	180 °
Space required on bridge	2.5 m
Travelling height (stowed)	3.75 m
Overall weight (approx)	6500 kg



Additional Equipment

- Generator 6KVA (silenced)
- Compressor 100CFM

www.ewphire.net.au

EWP Hire Pty Ltd

P: 0488 666 063

E: admin@ewphire.net.au

ABN: 61 162 101 699

P: PO Box 239 West Burleigh QLD 4219

A: 3 Rudman Parade, Burleigh Heads QLD 4220

7 Metre

Moog

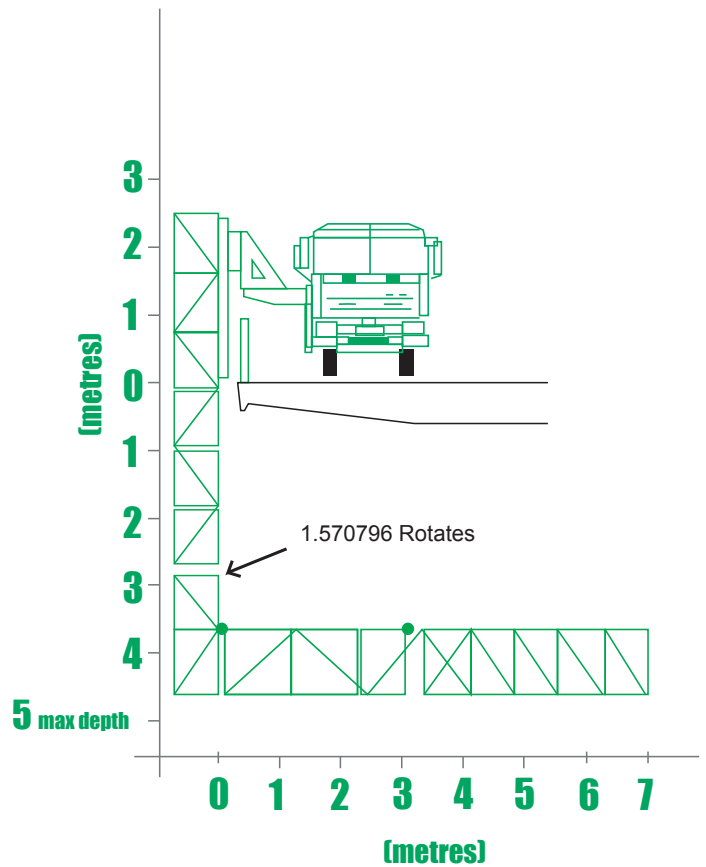
Underbridge Maintenance Unit Unit Number: UBM 6

Specs

Under bridge working length	7 m
Width of platform	1 m
Safe working load	400 kg
Max load at end of telescopic platform	200 kg
Max lowering depth	5 m
Rotation of platform	180°
Space required on bridge	2.5 m
Travelling height (stowed)	3.75 m
Overall weight (approx)	9400 kg

Additional Equipment

Generator 6KVA (silenced)



www.ewphire.net.au

EWP Hire Pty Ltd

P: 0488 666 063

E: admin@ewphire.net.au

ABN: 61 162 101 699

P: PO Box 239 West Burleigh QLD 4219

A: 3 Rudman Parade, Burleigh Heads QLD 4220

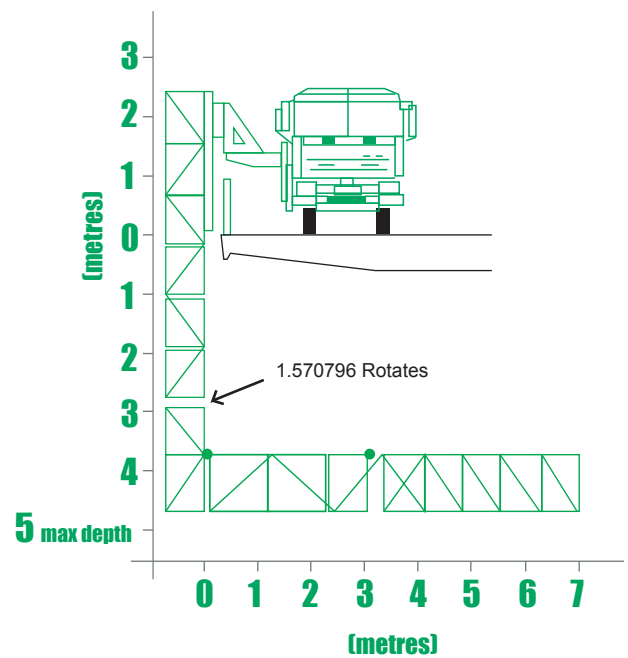
7 Metre Industrial

Moog

Underbridge Maintenance Unit Unit Number: UBM 2

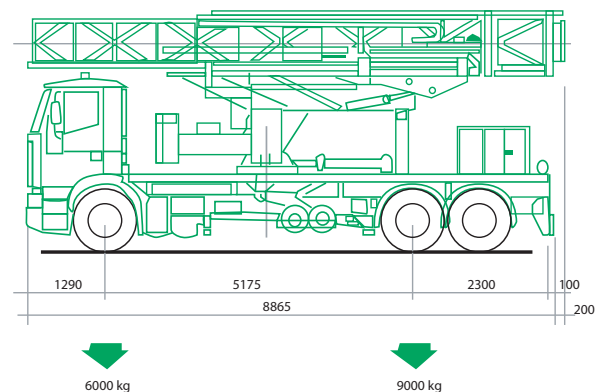
Specs

Under bridge working length	7 m
Width of platform	1 m
Safe working load	400 kg
Max load at end of telescopic platform	200 kg
Max lowering depth	5 m
Rotation of platform	180 °
Space required on bridge	2.5 m
Travelling height (stowed)	3.75 m
Overall weight (approx)	15,000 kg



Additional Equipment

- Generator 6KVA (silenced)
- Compressor 100CFM
- Gurney 3500psi
- Water Tank



www.ewphire.net.au

EWP Hire Pty Ltd

P: 0488 666 063

E: admin@ewphire.net.au

ABN: 61 162 101 699

P: PO Box 239 West Burleigh QLD 4219

A: 3 Rudman Parade, Burleigh Heads QLD 4220

9.5 Metre Industrial

Barin S.P.A

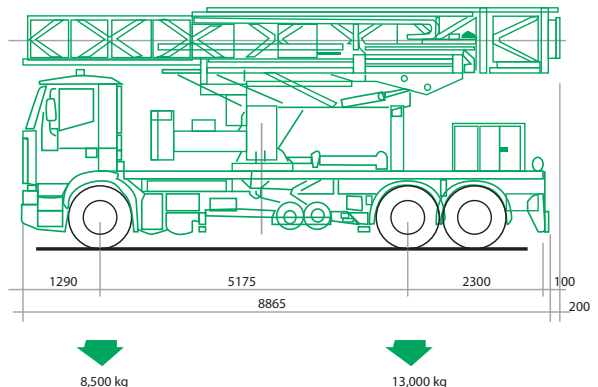
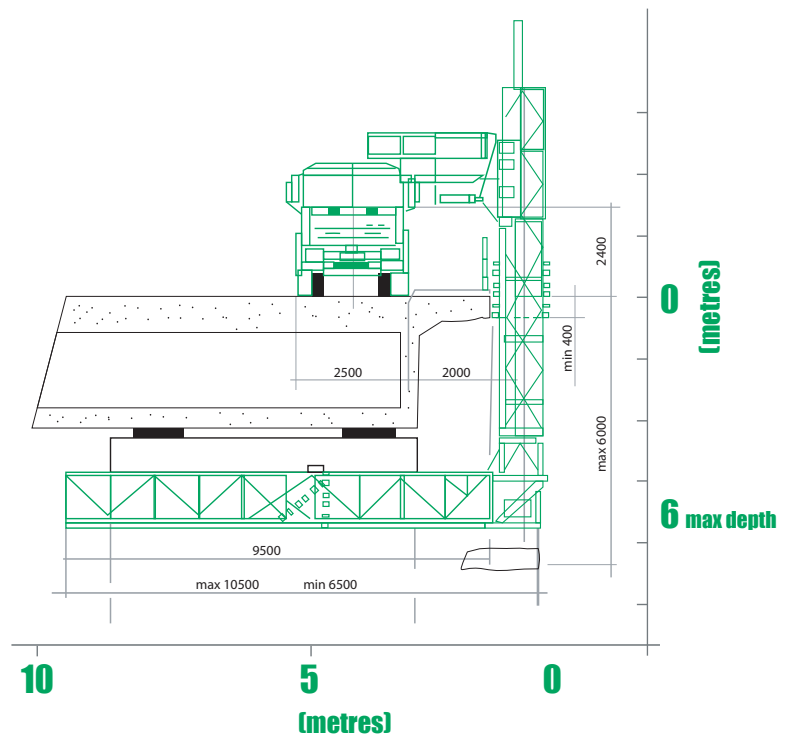
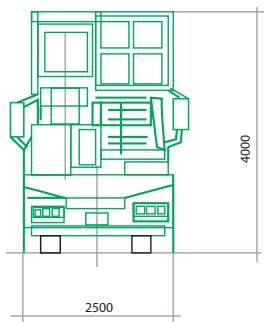
Underbridge Maintenance Unit Unit Number: UBM 1

Specs

Under bridge working length	9.5 m
Width of platform	1.2 m
Safe working load	500 kg
Max load at end of telescopic platform	250 kg
Max lowering depth	6 m
Rotation of platform	180°
Space required on bridge	2.5 m
Travelling height (stowed)	4 m
Overall weight (approx)	21,500 kg

Additional Equipment

- Generator 6KVA (silenced)
- Compressor 100CFM
- Gurney 3500psi
- Water Tank



www.ewphire.net.au

EWP Hire Pty Ltd

P: 0488 666 063

E: admin@ewphire.net.au

ABN: 61 162 101 699

P: PO Box 239 West Burleigh QLD 4219

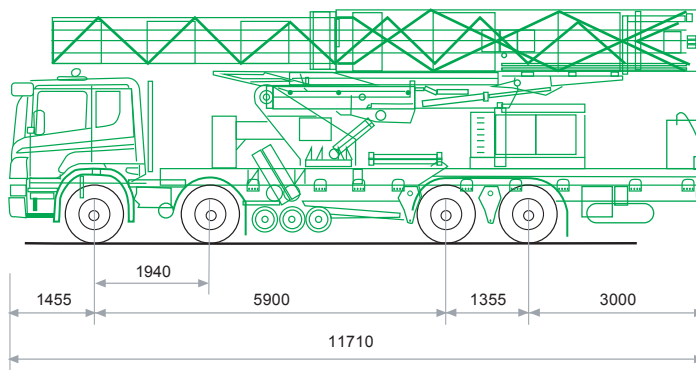
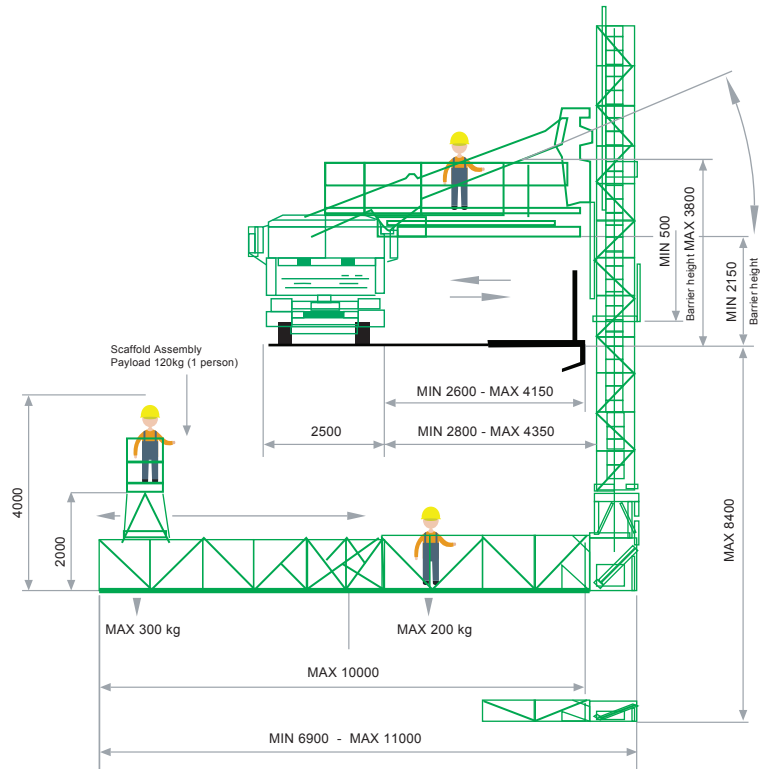
A: 3 Rudman Parade, Burleigh Heads QLD 4220

12 Metre Barin

Underbridge Maintenance Unit Unit Number: UBM 11

Specs

Under bridge working length	11 - 13 m
Width of platform	1.2 m
Safe working load	500 kg
Max load at end of telescopic platform	300 kg
Max load at scaffold assembly	120 kg
Max lowering depth	8.4 m
Rotation of platform	180°
Space required on bridge	2.5 m
Travelling height (stowed)	4 m
Travelling length	11.7 m
Overall weight (approx)	26,000 kg



www.ewphire.net.au

EWP Hire Pty Ltd

P: 0488 666 063

E: admin@ewphire.net.au

ABN: 61 162 101 699

P: PO Box 239 West Burleigh QLD 4219

A: 3 Rudman Parade, Burleigh Heads QLD 4220

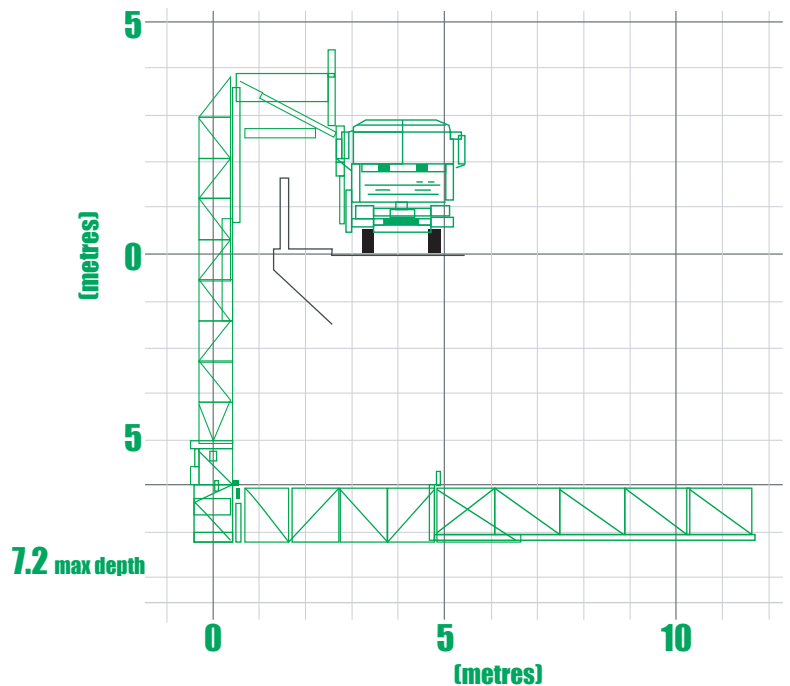
12 Metre

Moog

Underbridge Maintenance Unit Unit Number: UBM 5

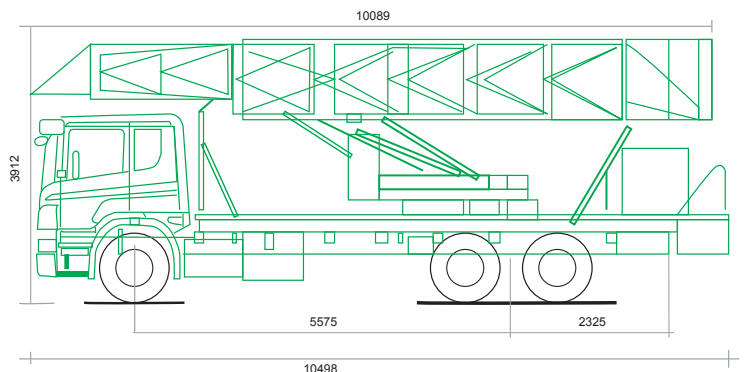
Specs

Under bridge working length	11-13 m
Width of platform	1.2 m
Safe working load	500 kg
Max load at end of telescopic platform	250 kg
Max lowering depth	7.2 m
Rotation of platform	180 °
Space required on bridge	2.5 m
Travelling height (stowed)	4 m
Overall weight (approx)	21,500 kg



Additional Equipment

Generator 6KVA (silenced)



www.ewphire.net.au

EWP Hire Pty Ltd

P: 0488 666 063

E: admin@ewphire.net.au

ABN: 61 162 101 699

P: PO Box 239 West Burleigh QLD 4219

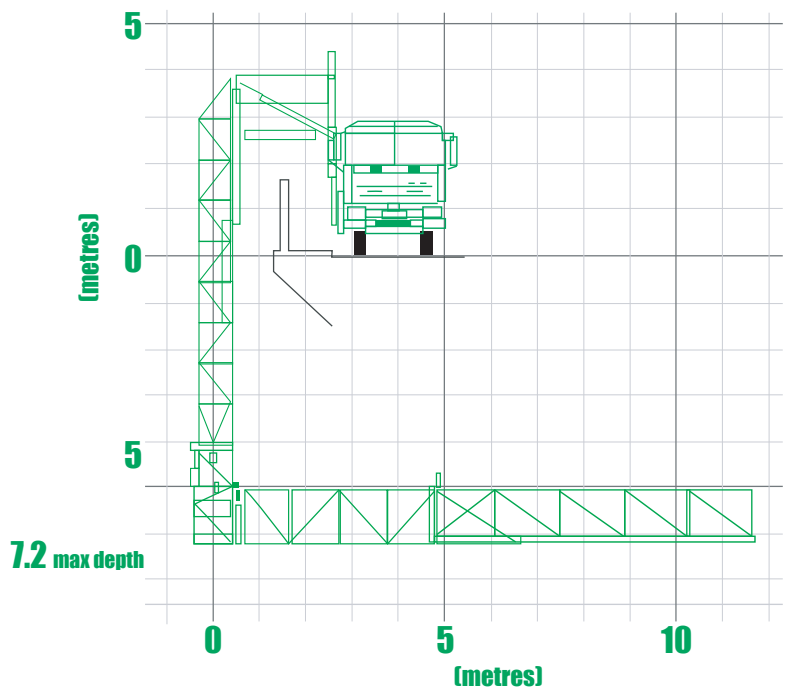
A: 3 Rudman Parade, Burleigh Heads QLD 4220

12 Metre Industrial Moog Underbridge Maintenance Unit

Unit Number: UBM 7 & 8

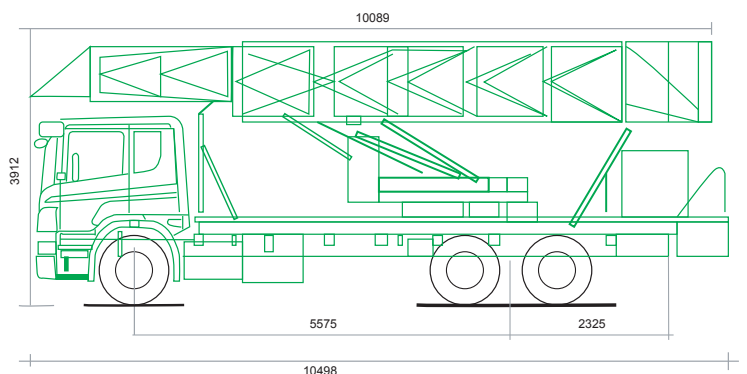
Specs

Under bridge working length	11-13 m
Width of platform	1.2 m
Safe working load	500 kg
Max load at end of telescopic platform	250 kg
Max lowering depth	7.2 m
Rotation of platform	180°
Space required on bridge	2.5 m
Travelling height (stowed)	4 m
Overall weight (approx)	23,000 kg



Additional Equipment

- Generator 6KVA (silenced)
- Compressor 100CFM
- Gurney 3500psi
- Water Tank



www.ewphire.net.au

EWP Hire Pty Ltd

P: 0488 666 063

E: admin@ewphire.net.au

ABN: 61 162 101 699

P: PO Box 239 West Burleigh QLD 4219

A: 3 Rudman Parade, Burleigh Heads QLD 4220

Cella LF 180/SJR Bucket Truck

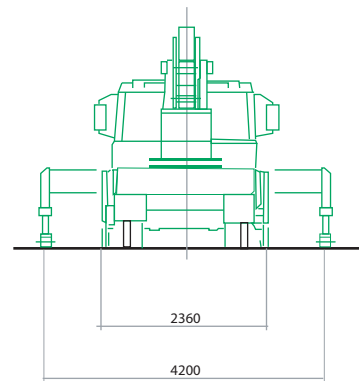
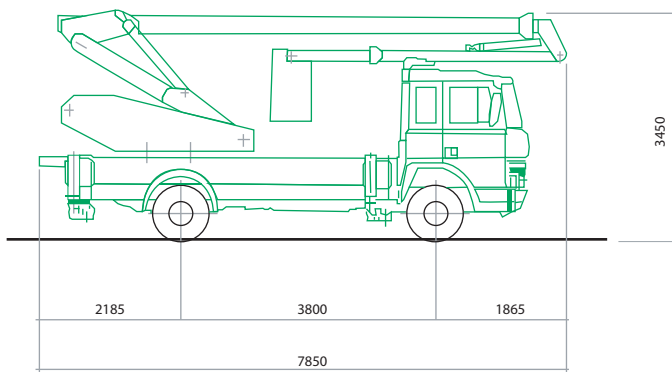
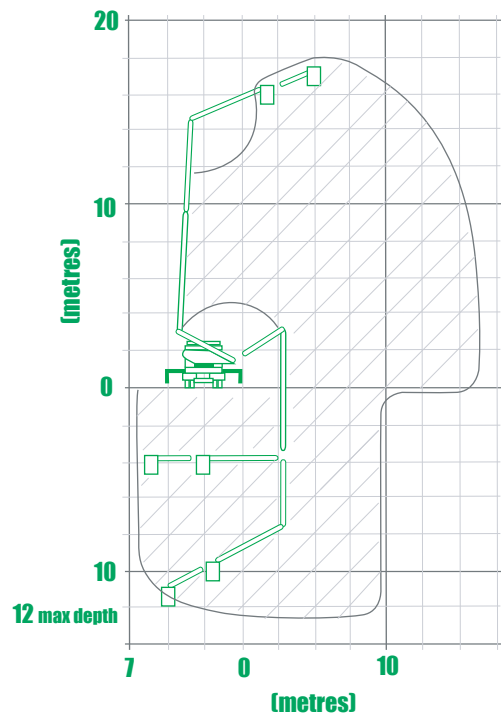
Underbridge Inspection Unit Unit Number: UBI 1 & 2

Specs

Under bridge working length	7 m
Width of platform	2 man basket
Safe working load	180 kg
Max load at end of telescopic platform	180 kg
Max lowering depth	12 m
Rotation of platform	360°
Space required on bridge	3.5 m
Travelling height (stowed)	3.45 m
Overall weight (approx)	12,500 kg

Additional Equipment

Generator 6KVA



www.ewphire.net.au

EWP Hire Pty Ltd

P: 0488 666 063

E: admin@ewphire.net.au

ABN: 61 162 101 699

P: PO Box 239 West Burleigh QLD 4219

A: 3 Rudman Parade, Burleigh Heads QLD 4220